

**2x4**  
Retrofit  
QXR24

# QuickLED® Retrofit Fixture

Using existing fluorescent fixture troffers

## Specifications

QXR24-XX-XXL40K-CVWHX-XX

Lumens Delivered	8649	5244	4643	4116	3775	3097	2787	2478
Lumen Designation	87L	54L	48L	42L	39L	32L	28L	25L
Input Watts	75.6	51.6	43.5	37.4	33.4	27.9	24.5	21.3
Efficacy	115	102	107	110	113	111	114	116



Color Render (CRI):	85
Color Temperature (CCT):	4000K
Dimming - Full Range:	0 - 10 V
Input Voltage:	110 - 277 VAC
Dimensions:	L: 46.92" x W: 22.92" x H: 2.30"
Weight:	8.0 lbs
Operating Temperature:	0° - 104° F
Warranty:	5 Year Limited

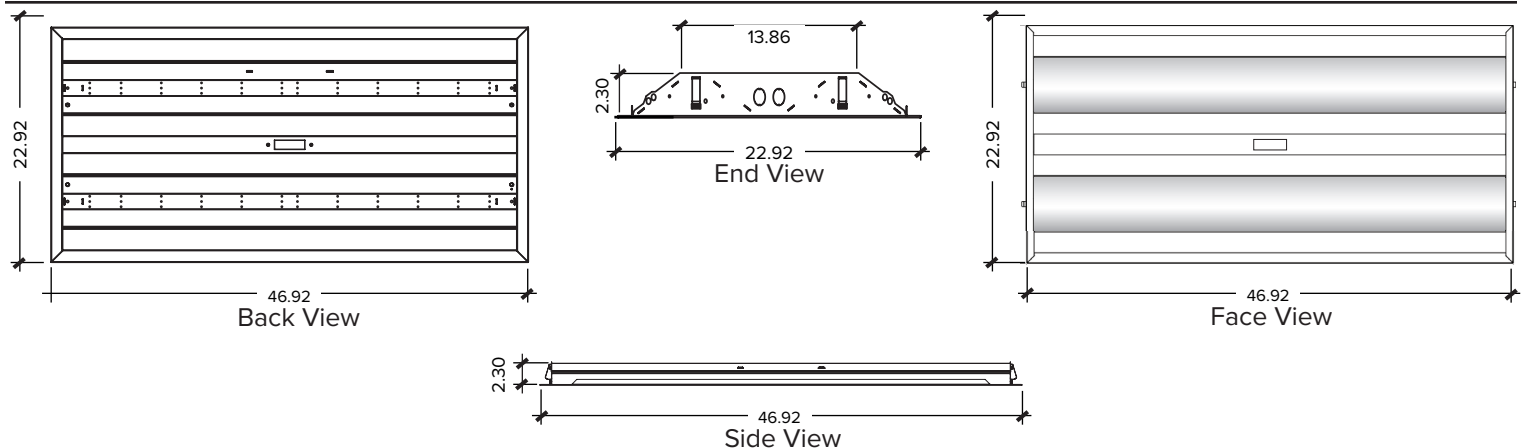
## Key Benefits

### QuickLED® Fixtures

Building energy cost reduced up to 50%	Return on investment (ROI) between 1.2 - 3.8 years
QuickLED®: One piece universal retrofit fixture with safety cables	Sizes available: 2x4   2x2   1x4
High performance: Up to 116 Lumens / Watt	Low cost fixture: Utility & other rebates may be available
Flow Lighting SmartNET LED® system: Upgradable to Smart fixtures	On-board logic: Energy & building code compliant
QuickLED AUTO®: Integrated sensors & secure wireless controls	Patent pending "Snap-in" installation: Fast & low cost
QuickLED® installation below ceiling in existing fluorescent troffer	Made in U.S.A <sup>1</sup> : Dallas, TX

1 - LED (Korea) | Driver (Taiwan)

## Drawings



All dimensions are in inches. For a list of detailed dimensions please contact our sales team.

# How to Specify & Order

## Fixture Specification Process

1	Select product series	Product Definitions
		<b>QuickLED®:</b> Fixtures without integrated sensor control package (Upgradeable)
		<b>QuickLED AUTO®:</b> Fixtures with integrated sensors & controls with secure wireless (Wi-Fi)
2	Select Retrofit fixture	Retrofit
3	Select fixture size	2x4
4	Select mounting option	Suspended Ceiling   Surface Mount*   Pendant Mount*: Cable Mount, Conduit Mount
		<i>Note: Retrofit fixtures are available in suspended ceiling and surface mount installations only. Pendant mounts are special order items.</i>
5	Select lumen designation	See product specification matrix below
6	Color temperature	4000K
7	Lens type	Convex Lens
8	Select fixture color	White
9	Version	3
10	Select emergency power	None   Emergency Battery   Generator / Invertor

\* Mounting systems are not included unless specified and purchased as an accessory.

## Product Specification Matrix

Product Series		Retrofit		Size		Mounting		Lumen Designation		Color Temperature		Lens		Fixture Color		Version		Emergency Power	
QuickLED®	QL	Retrofit	R	2x4	24	Suspended Ceiling	SC	8700	87L	4000	40K	Convex	CV	White	WH	Version	3	None	00
QuickLED AUTO®	QA					Surface Mount *	SM	5400	54L									Emergency Battery	EB
						<b>Pendant Mount *</b>		4800	48L									Generator / Invertor	GI
						Cable Mount*	CA	4200	42L										
						Conduit Mount*	CO	3900	39L										
								3200	32L										
								2800	28L										
								2500	25L										

\* Mounting systems are not included unless specified and purchased as an accessory.

## Sample 2x4 Specification

Product Series		Retrofit		Size		Mounting		Lumen Designation		Color Temperature		Lens		Fixture Color		Version		Emergency Power	
QuickLED®	QL	Retrofit	R	2x4	24	Suspended Ceiling	SC	5400	54L	4000	40K	Convex	CV	White	WH	Version	3	None	00
<b>QLR24</b>						<b>SC</b>		<b>54L40K</b>				<b>CVWH3</b>				<b>00</b>			

**QLR24-SC-54L40K-CVWH3-00**