

1x4
New
QXN14

QuickLED® New Fixture

New Flow Lighting troffer included

Specifications

QXN14-XX-XXL40K-CVWHX-XX

| | | | | | | | | |
|-------------------|------|------|------|------|------|------|------|------|
| Lumens Delivered | 7547 | 5355 | 4716 | 4229 | 3913 | 3162 | 2535 | 2292 |
| Lumen Designation | 76L | 54L | 48L | 42L | 39L | 32L | 26L | 24L |
| Input Watts | 83.3 | 51.6 | 43.7 | 37.6 | 34.1 | 27.9 | 25.7 | 22.5 |
| Efficacy | 91 | 104 | 108 | 113 | 115 | 113 | 99 | 102 |



| | |
|-------------------------------------|--|
| Color Render (CRI): | 85 |
| Color Temperature (CCT): | 4000K |
| Dimming - Full Range ¹ : | 0 - 10 V |
| Input Voltage: | 110 - 277 VAC |
| Dimensions: | Fixture: 46.92" x W: 10.92" x H: 2.94" Troffer: 47.62" x W: 11.75" x H: 3.25" |
| Weight: | 9.0 lbs |
| Operating Temperature: | 0° - 104° F |
| Warranty: | 5 Year Limited |

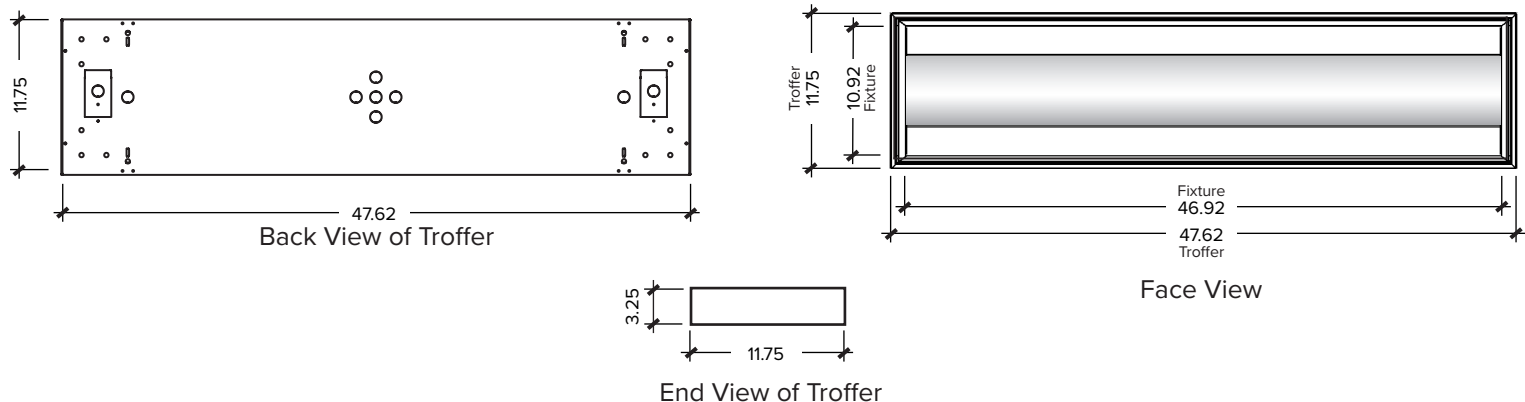
Key Benefits

QuickLED® Fixtures

| | |
|---|--|
| Building energy cost reduced up to 50% | Return on investment (ROI) between 1.2 - 3.8 years |
| QuickLED®: One piece universal fixture with safety cables & troffer | Sizes available: 2x4 2x2 1x4 |
| High performance: Up to 115 Lumens / Watt | Low cost fixture: Utility & other rebates may be available |
| Flow Lighting SmartNET LED® system: Upgradable Smart fixtures | On-board logic: Energy & building code compliant |
| QuickLED AUTO®: Integrated sensors & secure wireless controls | Patent pending "Snap-in" installation: Fast & low cost |
| Mounting Options: Suspended Ceiling Surface Pendant Cable | Made in U.S.A ¹ : Dallas, TX |

1 - LED (Korea) | Driver (Taiwan)

Drawings



All dimensions are in inches. For a list of detailed dimensions please contact our sales team.

How to Specify & Order

Fixture Specification Process

| | | |
|----|--------------------------|---|
| 1 | Select product series | Product Definitions |
| | | QuickLED®: Fixtures without integrated sensor control package (Upgradeable) |
| | | QuickLED AUTO®: Fixtures with integrated sensors & controls with secure wireless (Wi-Fi) |
| 2 | Select New fixture | New |
| 3 | Select fixture size | 1x4 |
| 4 | Select mounting option | Suspended Ceiling Surface Mount* Pendant Mount*: Cable Mount, Conduit Mount |
| 5 | Select lumen designation | See product specification matrix below |
| 6 | Color temperature | 4000K |
| 7 | Lens type | Convex Lens |
| 8 | Select fixture color | White |
| 9 | Version | 2 |
| 10 | Select emergency power | None Emergency Battery Generator / Invertor |

* Mounting systems are not included unless specified and purchased as an accessory.

Product Specification Matrix

| Product Series | | New / Retrofit | | Size | | Mounting | | Lumen Designation | | Color Temperature | | Lens | | Fixture Color | | Version | | Emergency Power | |
|----------------|----|----------------|---|------|----|-------------------|----|-------------------|-----|-------------------|-----|--------|----|---------------|----|---------|---|----------------------|----|
| QuickLED® | QL | New | N | 1x4 | 14 | Suspended Ceiling | SC | 7600 | 76L | 4000 | 40K | Convex | CV | White | WH | Version | 2 | None | 00 |
| QuickLED AUTO® | QA | | | | | Surface Mount * | SM | 5400 | 54L | | | | | | | | | Emergency Battery | EB |
| | | | | | | Pendant Mount * | | 4800 | 48L | | | | | | | | | Generator / Invertor | GI |
| | | | | | | Cable Mount* | CA | 4200 | 42L | | | | | | | | | | |
| | | | | | | Conduit Mount* | CO | 3900 | 39L | | | | | | | | | | |
| | | | | | | | | 3200 | 32L | | | | | | | | | | |
| | | | | | | | | 2600 | 26L | | | | | | | | | | |
| | | | | | | | | 2400 | 24L | | | | | | | | | | |

* Mounting systems are not included unless specified and purchased as an accessory.

Sample 1x4 Specification

| Product Series | | New / Retrofit | | Size | | Mounting | | Lumen Designation | | Color Temperature | | Lens | | Fixture Color | | Version | | Emergency Power | |
|----------------|----|----------------|---|------|----|-------------------|----|-------------------|-----|-------------------|-----|--------------|----|---------------|----|---------|---|-----------------|----|
| QuickLED® | QL | New | N | 1x4 | 14 | Suspended Ceiling | SC | 5400 | 54L | 4000 | 40K | Convex | CV | White | WH | Version | 2 | None | 00 |
| QLN14 | | | | | | SC | | 54L40K | | | | CVWH2 | | | | | | 00 | |

QLN14-SC-54L40K-CVWH2-00