

# 2x4

Mid-Bay  
QLXMB24

# QuickLED® Mid-Bay Retrofit & New Fixture

## Specifications

QLXMB24-XX-XXXL40K08-CVWHX-XX

Lumens Delivered	8649
Lumen Designation	087L
Input Watts	75.6
Efficacy	115



Color Render (CRI):	85
Color Temperature (CCT):	4000K
Dimming - Full Range:	0 - 10 V
Input Voltage:	110 - 277 VAC
Lumen Maintenance:	79% at 60,000 Hours
Dimensions:	L: 46.92" x W: 22.92" x H: 2.30"
Weight:	9.0 lbs
Operating Temperature:	0° - 104° F
Warranty:	5 Year Limited

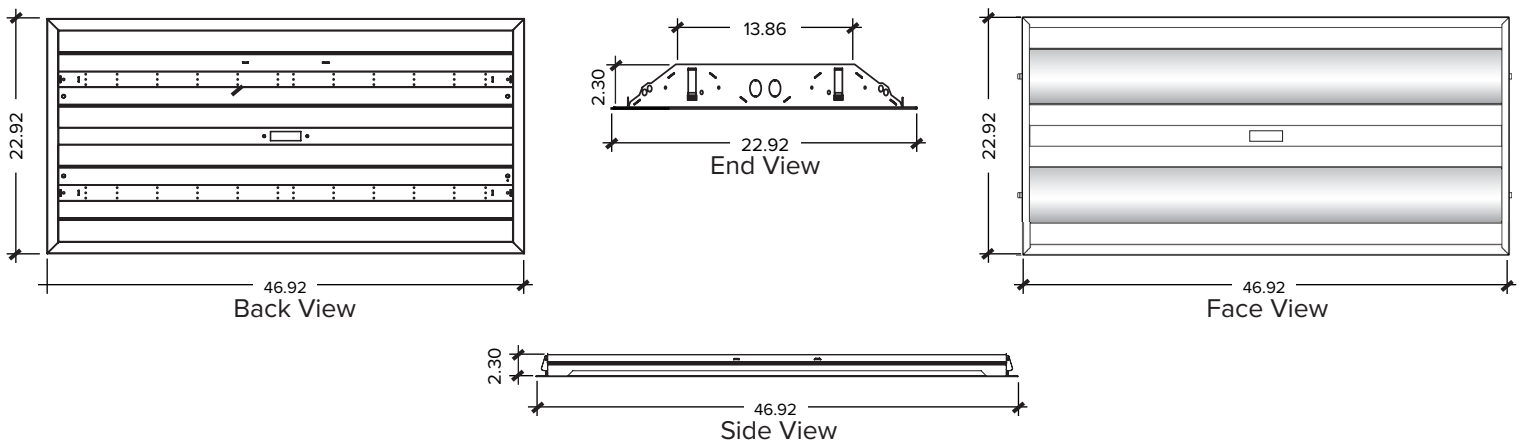
## Key Benefits

### QuickLED® Fixtures

Building energy cost reduced up to 50%	Return on investment (ROI) between 1.2 - 3.8 years
High performance: Up to 115 Lumens / Watt	UL, DLC & Lightingfacts Certified
Flow Lighting SmartNET LED® system: Upgradable Smart fixtures	Low cost fixture: Utility & other rebates may be available
QuickLED AUTO®: Integrated sensors & secure wireless controls	On-board logic: Energy & building code compliant
Optics: Narrow & wide distribution models	SmartNET LED®: Smart network building systems
Mounting options: Suspended Ceiling   Surface   Cable   Pendant	Made in U.S.A <sup>1</sup> : Dallas, TX

1 - LED (Korea) | Driver (Taiwan)

## Drawings



All dimensions are in inches. For a list of detailed dimensions please contact our sales team.

# How to Specify & Order

## Fixture Specification Process

1	Select product series	Product Definitions
		<b>QuickLED®:</b> Fixtures without integrated sensor control package
		<b>QuickLED AUTO®:</b> Fixtures with integrated sensors & controls with secure wireless (Wi-Fi)
2	Select New or Retrofit fixture	New   Retrofit
3	Select fixture size	2x4
4	Select mounting option	Suspended Ceiling   Surface Mount*   Pendant Mount*: Cable Mount, Conduit Mount
5	Select lumen designation	See product specification matrix below
6	Color temperature	4000K
7	Select number of boards	8 (2x4 fixture)
8	Lens type	Convex Lens
9	Select fixture color	White
10	Version	2
11	Select emergency power	None   Emergency battery   Generator / Invertor

\*Mounting systems not included unless specified & purchased as an accessory.

## Product Specification Matrix

Product Series		New / Retrofit		Size		Mounting		Lumen Designation		Color Temp		Number of Boards		Lens		Fixture Color		Version		Emergency Power		
QuickLED®	QLXMB	New	N	2x4	24	Suspended Ceiling	SC	8700	087L	4000	40K	8	08	Convex	CV	White	WH	New Version	2	None	00	
QuickLED AUTO®	QAXMB	Retrofit	R			Surface Mount*	SM											Retrofit Version	3	Emergency Battery	EB	
						<b>Pendant Mount*:</b>														Generator Invertor		GI
						Cable Mount*	CA															
						Conduit Mount*	CO															

\* Mounting systems are not included unless specified and purchased as an accessory.

## Sample Mid-Bay 2x4 Specification

Product Series		New / Retrofit		Size		Mounting		Lumen Designation		Color Temp		Number of Boards		Lens		Fixture Color		Version		Emergency Power	
QuickLED®	QLXMB	New	N	2x4	24	Suspended Ceiling	SC	8700	087L	4000	40K	8	08	Convex	CV	White	WH	Version	2	None	00
<b>QLXMBN24</b>						<b>SC</b>		<b>087L40K08</b>						<b>CVWH2</b>						<b>00</b>	

**QLXMBN24-SC-087L40K08-CVWH2-00**