

QuickLED® Linear Curved | Ceiling

6 LED Boards

Specifications

QXMDc-XX-XXXL40K06-CRWHX-XX

Lumens Delivered	9674	6790	5224	4706	3878	3710	3438	3086
Lumen Designation	097L	068L	053L	047L	039L	038L	035L	031L
Input Watts	90.3	56.9	41.6	36.9	31.4	28.6	27.1	24.3
Efficacy	107	119	126	128	124	130	127	127

Color Render (CRI):	85
Color Temperature (CCT):	4000K
Dimming - Full Range:	0-10 V
Input Voltage:	110 - 277 VAC
Dimensions:	L: 48.66" x W: 5.36" x H: 4.05"
Weight:	8.0 lbs
Operating Temperature:	0° - 104° F
Warranty:	5 Year Limited

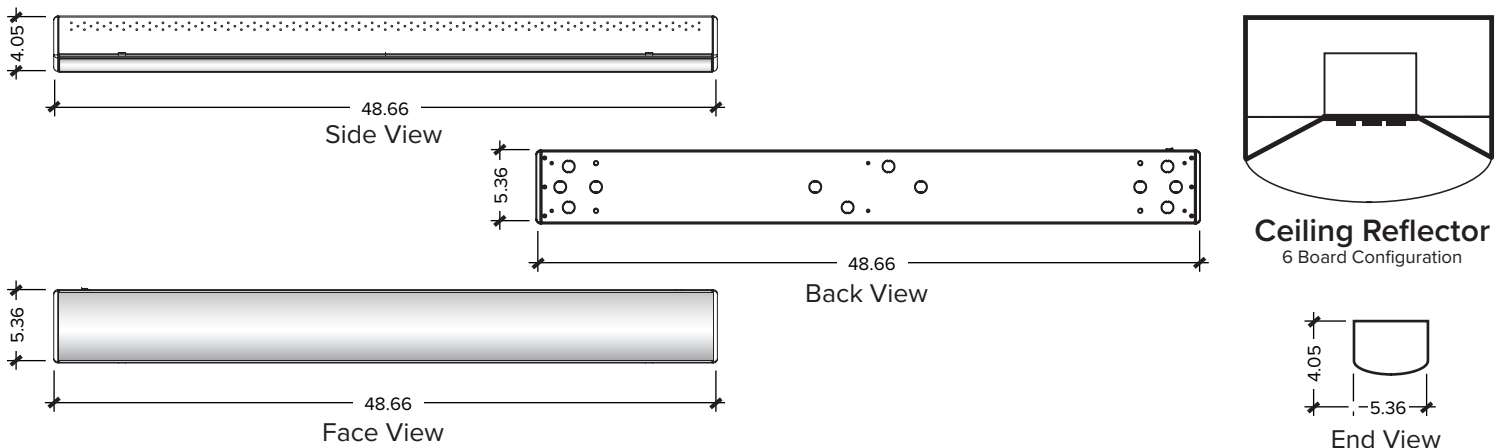
Key Benefits

QuickLED® Fixtures

Building energy cost reduced up to 50%	Return on investment (ROI) between 1.2 - 3.8 years
QuickLED®: Linear system, extend fixtures end-to-end	Easy to install: Internal wire raceway
High performance: Up to 130 Lumens / Watt	Low cost fixture: Utility & other rebates may be available
Flow Lighting SmartNET LED® system: Upgradable Smart fixtures	On-board logic: Energy & building code compliant
QuickLED AUTO®: Integrated sensors & secure wireless controls	SmartNET LED®: Smart network building systems
Mounting Options: Surface Pendant Cable	Made in U.S.A ¹ : Dallas, TX

1 - LED (Korea) | Driver (Taiwan)

Drawings



All dimensions are in inches. For a list of detailed dimensions please contact our sales team.

How to Specify & Order

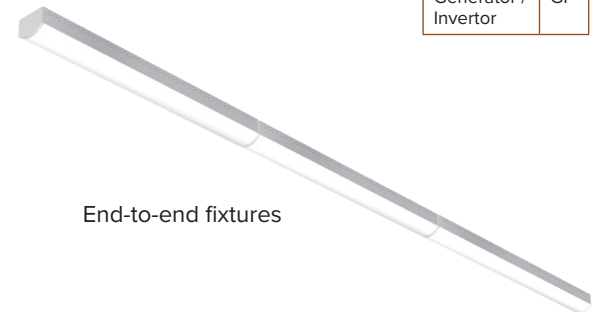
Fixture Specification Process

1	Select product series	Product Definitions
		QuickLED®: Fixtures without integrated sensor control package (Upgradeable)
		QuickLED AUTO®: Fixtures with integrated sensors & controls with secure wireless (Wi-Fi)
2	Select mounting option	Surface Mount* Pendant Mount*: Cable Mount, Conduit Mount
3	Select lumen designation	See product specification matrix below
4	Color temperature	4000K
5	Select number of board	6
6	Select reflector	CR (Ceiling reflector -----)
		<i>Note: 4-Board and 6-Board fixtures are available with CR reflectors only. 8-Board fixtures are available with WR reflectors only.</i>
7	Select fixture color	White
8	Version	1
9	Select emergency power	None Emergency Battery Generator / Invertor

*Mounting systems not included unless specified & purchased as an accessory.

Product Specification Matrix

Product Series		Mounting		Lumen Designation		Color Temperature		Number of LED Boards		Reflector Type		Fixture Color		Version		Emergency Power					
QuickLED® Linear Curved	QLMDC	Surface Mount*	SM	9700	097L	4000	40K	6 Boards	06	Ceiling	CR	White	WH	Version	1	None	00				
	QAMDC																				
QuickLED AUTO® Linear Curved	QAMDC	Pendant Mount*:		6800	068L												Emergency Battery	EB			
			Cable Mount*	CA	5300	053L												Generator / Invertor	GI		
			Conduit Mount*	CO	4700	047L															
					3900	039L															
					3800	038L															
					3500	035L															
				3100	031L																



End-to-end fixtures

Sensors & Controls Configuration:

1. In every fixture
2. In every other fixture
3. In every 4th fixture

* Mounting systems are not included unless specified and purchased as an accessory.

Sample 6-Board Linear Curved Specification

Product Series		Mounting		Lumen Designation		Color Temperature		Number of Boards		Lens		Fixture Color		Version		Emergency Power	
QuickLED® Linear Curved	QLMDC	Surface Mount*	SM	6800	068L	4000	40K	6 Boards	06	Ceiling	CR	White	WH	Version	1	None	00
QLMDC		SM		068L40K06		CRWH1										00	

QLMDC-SM-068L40K06-CRWH1-00