

QuickLED® Linear Curved | Ceiling

4 LED Boards

Specifications

QXMD C-XX-XXXL40K04-CRWHX-XX

Lumens Delivered	8817	6390	5020	4541	3350	3020	2762	2438
Lumen Designation	089L	064L	050L	046L	034L	030L	028L	025L
Input Watts	95.8	59.3	43.2	38.1	27.8	24.8	22.8	19.2
Efficacy	92	108	116	119	120	122	121	127

Color Render (CRI):	85
Color Temperature (CCT):	4000K
Dimming - Full Range ¹ :	0-10 V
Input Voltage:	110 - 277 VAC
Dimensions:	L: 48.66" x W: 5.36" x H: 4.05"
Weight:	8.0 lbs
Operating Temperature:	0° - 104° F
Warranty:	5 Year Limited

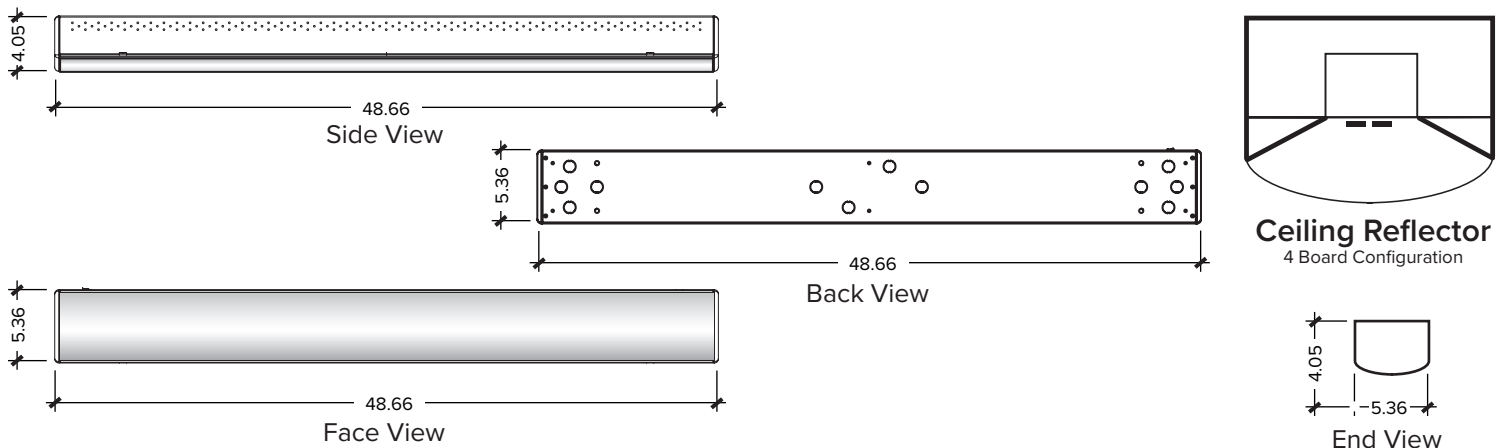
Key Benefits

QuickLED® Fixtures

Building energy cost reduced up to 50%	Return on investment (ROI) between 1.2 - 3.8 years
QuickLED®: Linear system, extend fixtures end-to-end	Easy to install: Internal wire raceway
High performance: Up to 127 Lumens / Watt	Low cost fixture: Utility & other rebates may be available
Flow Lighting SmartNET LED® system: Upgradable Smart fixtures	On-board logic: Energy & building code compliant
QuickLED AUTO®: Integrated sensors & secure wireless controls	SmartNET LED®: Smart network building systems
Mounting Options: Surface Pendant Cable	Made in U.S.A ¹ : Dallas, TX

1 - LED (Korea) | Driver (Taiwan)


Drawings



All dimensions are in inches. For a list of detailed dimensions please contact our sales team.

How to Specify & Order

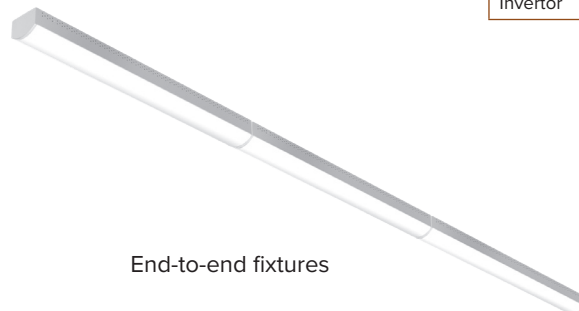
Fixture Specification Process

1	Select product series	Product Definitions
		QuickLED®: Fixtures without integrated sensor control package (Upgradable)
		QuickLED AUTO®: Fixtures with integrated sensors & controls with secure wireless (Wi-Fi)
2	Select mounting option	Surface Mount* Pendant Mount*: Cable Mount, Conduit Mount
3	Select lumen designation	See product specification matrix below
4	Color temperature	4000K
5	Select number of board	4
6	Select reflector	CR (Ceiling reflector )
		<i>Note: 4-Board and 6-Board fixtures are available with CR reflectors only. 8-Board fixtures are available with WR reflectors only.</i>
7	Select fixture color	White
8	Version	1
9	Select emergency power	None Emergency Battery Generator / Invertor

*Mounting systems not included unless specified & purchased as an accessory.

Product Specification Matrix

Product Series		Mounting		Lumen Designation		Color Temperature		Number of LED Boards		Reflector Type		Fixture Color		Version		Emergency Power	
QuickLED® Linear Curved	QLMDC	Surface Mount*	SM	6400	064L	4000	40K	4 Boards	04	Ceiling	CR	White	WH	Version	1	None	00
QuickLED AUTO® Linear Curved	QAMDC	Pendant Mount*:		5000	050L											Emergency Battery	EB
		Cable Mount*	CA	4600	046L											Generator / Invertor	GI
		Conduit Mount	CO	3400	034L												
				3000	030L												
				2800	028L												
				2500	025L												



End-to-end fixtures

Sensors & Controls Configuration:

1. In every fixture
2. In every other fixture
3. In every 4th fixture

* Mounting systems are not included unless specified and purchased as an accessory.

Sample 4-Board Linear Curved Specification

Product Series		Mounting		Lumen Designation		Color Temperature		Number of Boards		Lens		Fixture Color		Version		Emergency Power	
QuickLED® Linear Curved	QLMDC	Surface Mount*	SM	6400	064L	4000	40K	4 Boards	04	Ceiling	CR	White	WH	Version	1	None	00
QLMDC		SM		064L40K04						CRWH1						00	

QLMDC-SM-064L40K04-CRWH1-00