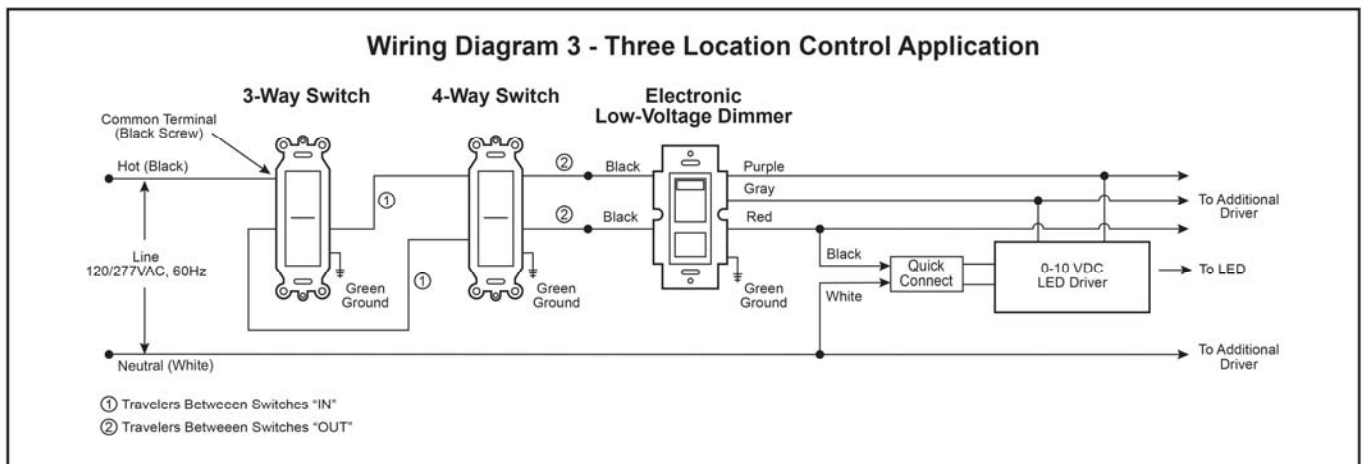
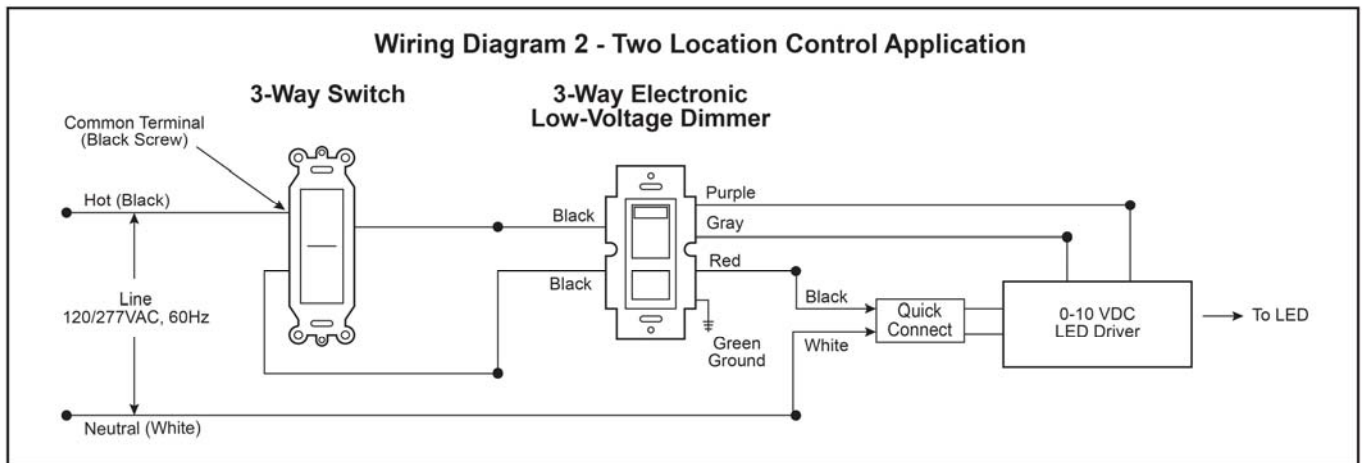
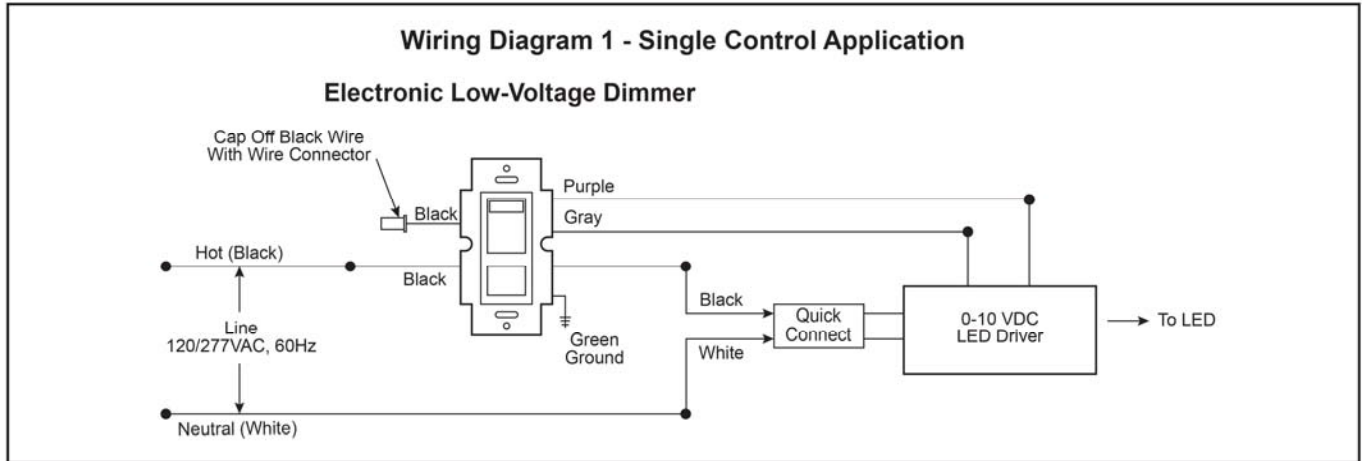
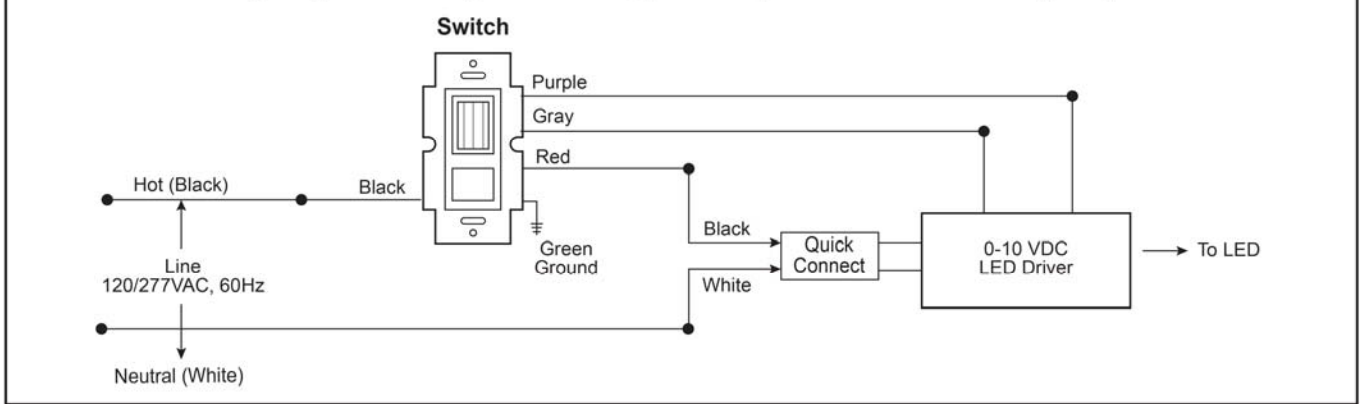


SAMPLE CONTROLS WIRING DIAGRAM

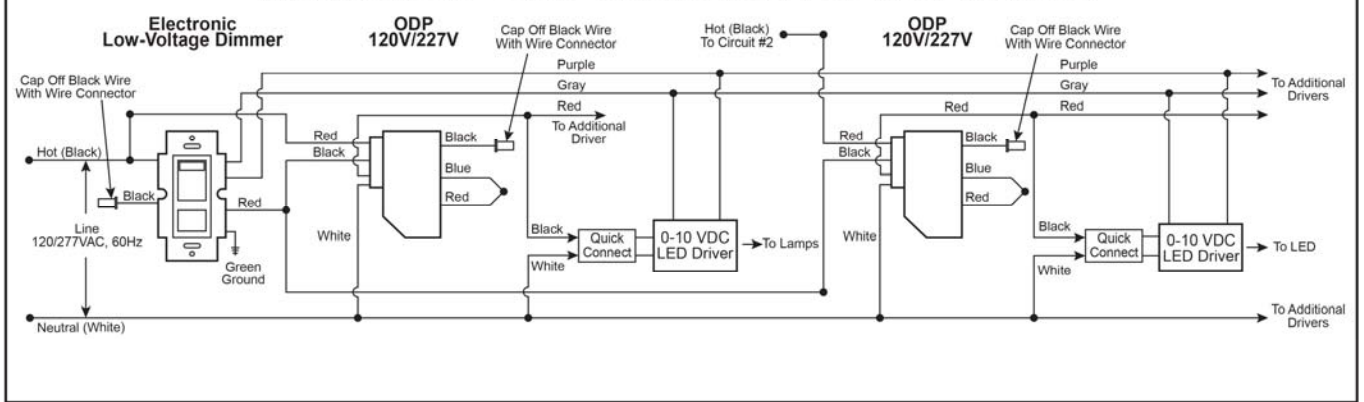


Note: Confirm specific manufacturer's requirements and local codes for all wiring installations.

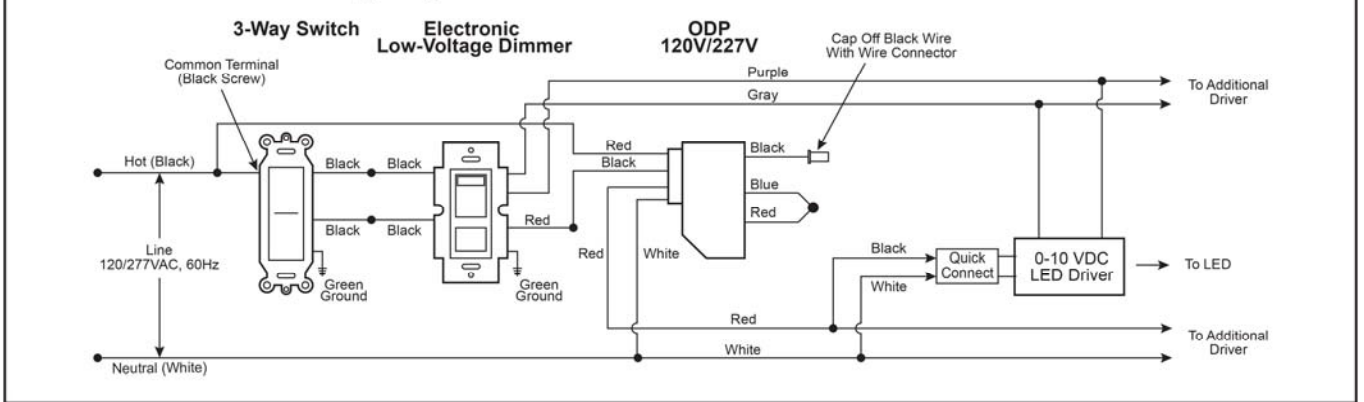
Wiring Diagram 4 - Single Control Application | Motion Detector Occupancy Switch



Wiring Diagram 5 - Single Control with ODP Power Pack Application



Wiring Diagram 6 - Two Location Control with ODP Power Pack



Note: Confirm specific manufacturer's requirements and local codes for all wiring installations.

SUPPLEMENTAL MAINTENANCE INFORMATION

LENS REMOVAL

Starting at one end of the lens, gently pinch and hold to separate the corner of the lens from the lens channel per Image 1. While maintaining hold, continue to pinch down the length of the lens per Image 2. Carefully separate the full length of the lens from the lens channel per Image 3. Gently set the lens aside. Repeat with the second lens. Avoid raking the edge of the lens down the lens retainer channel. Pinch lens clear of channels.



IMAGE 1



IMAGE 2

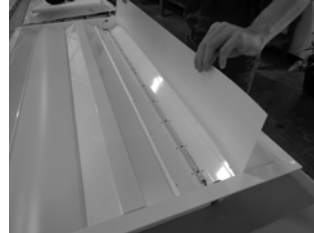


IMAGE 3

CAUTION – Lenses are fragile, handle with care.

CAUTION – Do not touch LED chips as damage may result

LENS INSTALLATION

Set the long edge of the lens into the lens channel per Image 4. Starting at one end and progressing toward the other, gently pinch the lens and carefully guide the other edge into the opposing lens channel. (See Images 4 through 6) As pinched lens is replaced, allow it to seat into opposite lens channel. Avoid raking the edge of the lens down the lens retainer channel. Pinch lens clear of channels. Be sure lens is placed over spring clips to conceal spring clips on end of fixture.



IMAGE 4

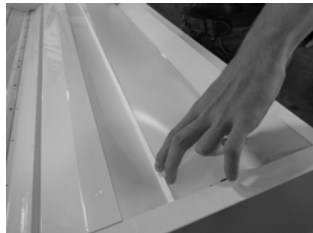


IMAGE 5



IMAGE 6

CAUTION – Lenses are fragile, handle with care.

CAUTION – Do not touch LED chips as damage may result

Please see installation video at <http://www.flowledlighting.com> for more detail.
[QR Code for the installation video is also available on the cover page of this manual.]