

OPTIONAL CONTROLS

CONTROLS (0-10V)

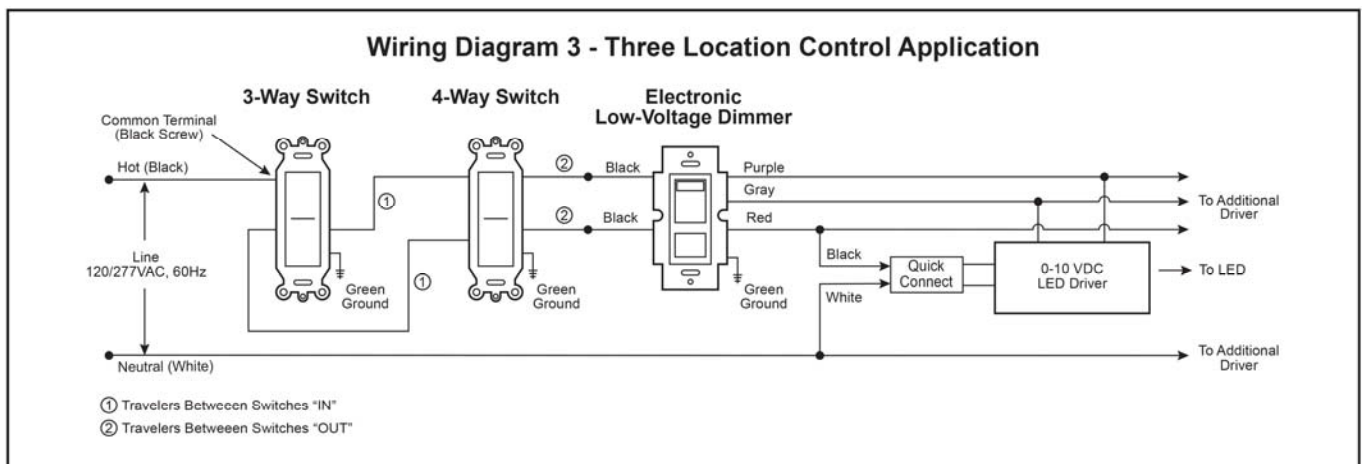
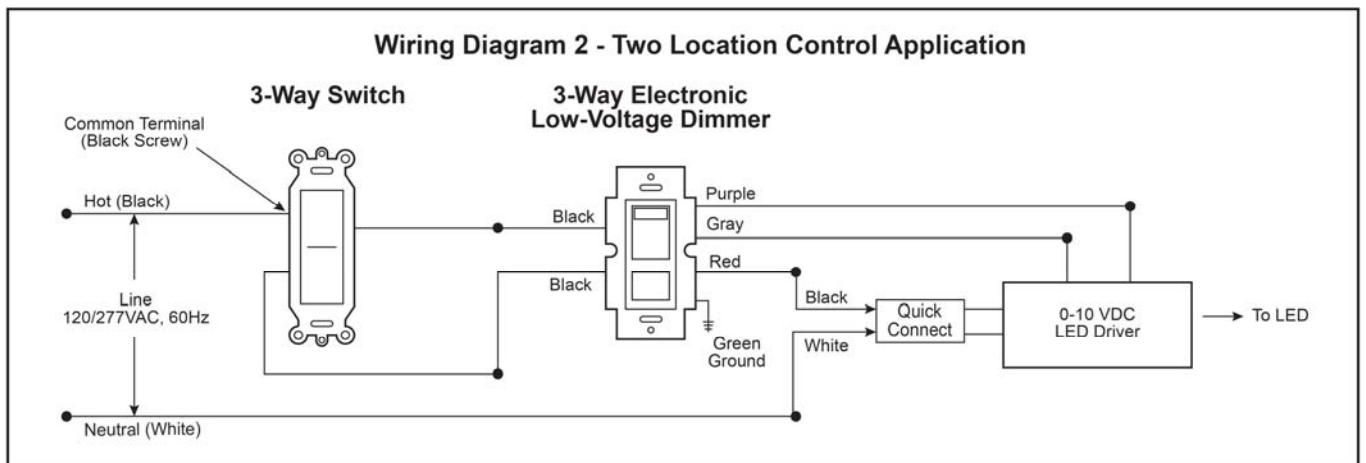
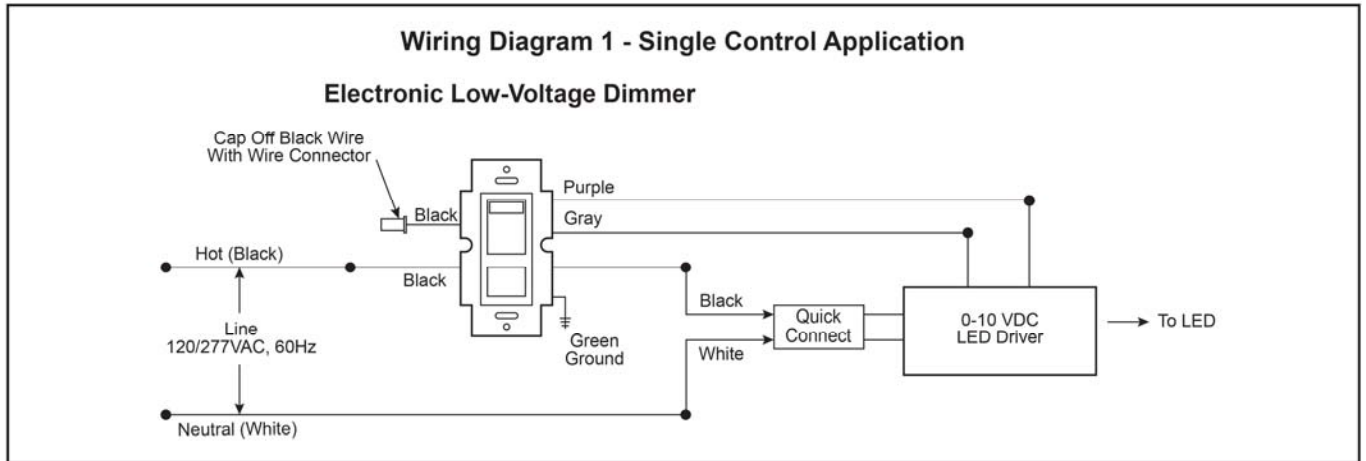
Routing of low voltage control wires to Flow Lighting fixtures shall be through separate electrical access panel or knockout in troffer that is separate from line circuits.

Optional: For connection of Flow Lighting QuickLED® driver to dimming controls.

1. Locate purple and gray 18 AWG Solid Copper Wire with Quick Connects pre-wired from LED driver on back of QuickLED® retrofit fixture.
2. Use 18 AWG Solid Copper Wire Rated $\geq 300V$ and strip wire 3/8". Insert stripped wire into quick-connectors PURPLE (+) and GRAY (-) for 0-10V controls.

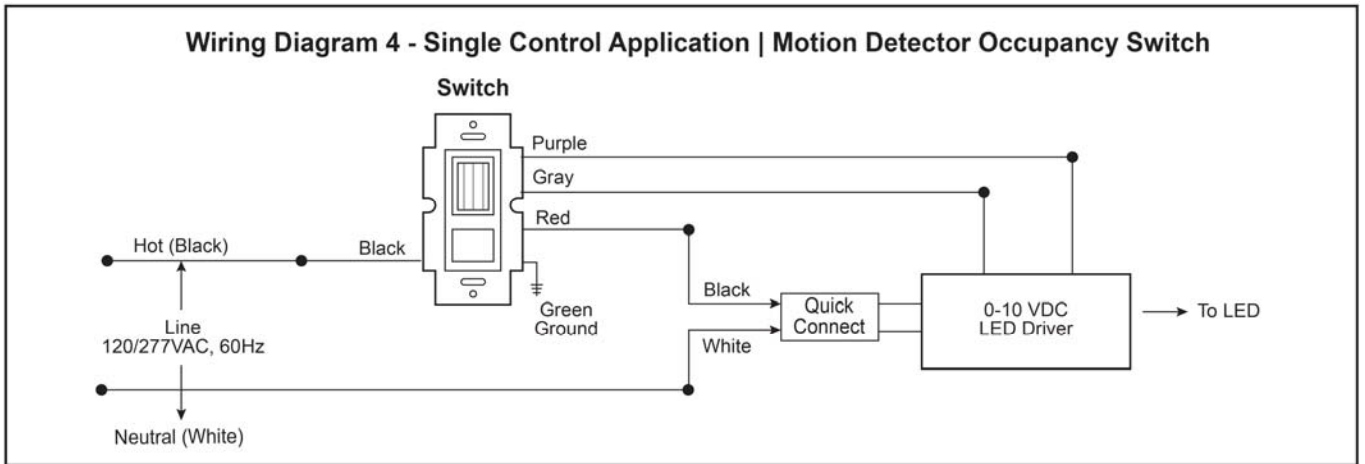
SEE FOLLOWING DIAGRAMS FOR VARIOUS CONTROL CONFIGURATIONS

SAMPLE CONTROLS WIRING DIAGRAM

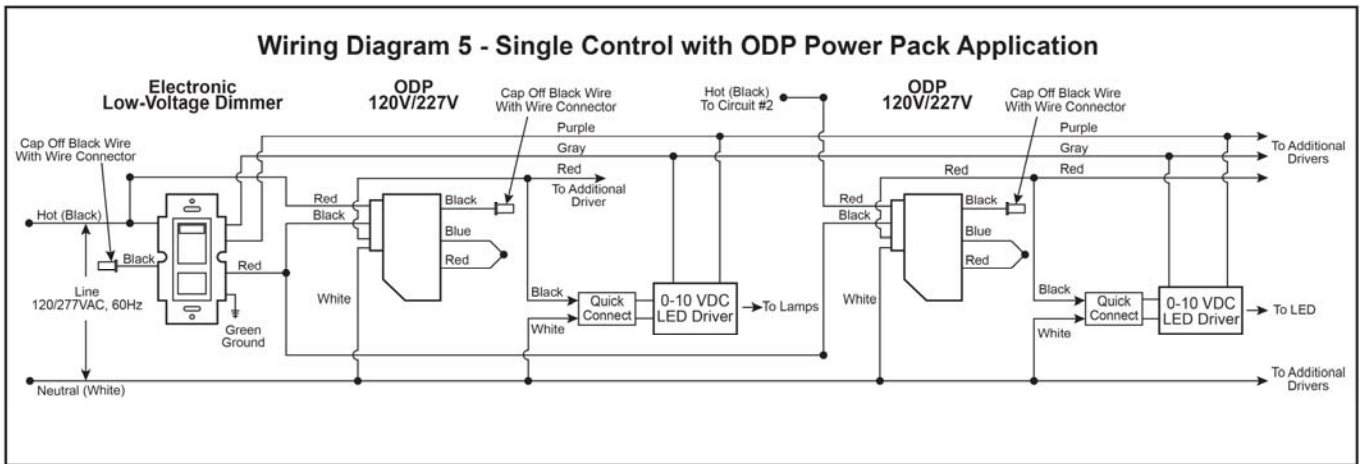


Note: Confirm specific manufacturer's requirements and local codes for all wiring installations.

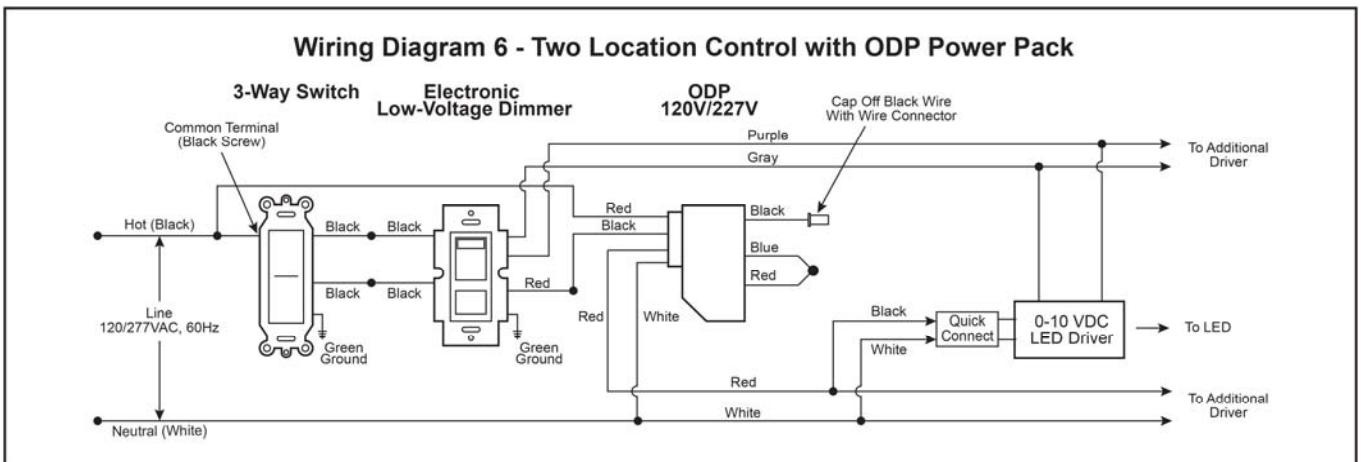
Wiring Diagram 4 - Single Control Application | Motion Detector Occupancy Switch



Wiring Diagram 5 - Single Control with ODP Power Pack Application



Wiring Diagram 6 - Two Location Control with ODP Power Pack



Note: Confirm specific manufacturer's requirements and local codes for all wiring installations.